



FLAT ROOF MODULAR INSULATED BUILDING

DuraMax Modular Housing introduces our energy efficient Flat Roof Modular Insulated Building. These are manufactured with durable coil coated galvanized steel inner and outer skin with a fire-retardant CFC Free Poly-Urethane insulation.

These buildings are ideal for all weather conditions and can be used for various purposes, such as additional living space, emergency shelter, office, hobby room, secure storage space, tool room, or an equipment enclosure. Each building is modularly designed expansion and a true DIY installation in mind.

This insulated building includes a single window kit and a foundation. The foundation is made of galvanized metal and provides a base for installing the building on almost any flat surface.

The insulated building are shipped on two crates with simple, clean and safe assembly. All parts are pre-cut, drilled and numbered for ease of assembly.

FLAT ROOF MODULAR INSULATED BUILDING



1 Extension Kit
Mountable either
Left or Right Side



Rear View



Top View

FLAT ROOF MODULAR INSULATED BUILDING FEATURES

- Includes a metal foundation that allows building construction on just about any flat level surface. Concrete is not required.
- Pre-painted galvanized inner and outer walls provide a stable, impenetrable wall.
- Thick fire-retardant CFC-Free B2 polyurethane insulation offers excellent thermal and acoustic performance.
- Easy-to-assemble bolted tongue and groove wall panel assembly. Provides fast assembly and disassembly. Parts are pre-cut, drilled and numbered for fast simple installation.
- Stackable wall panels, single crate package so that the building can be moved if needed even in a pickup truck.
- Snow load of 30 lbs/sqft - one of the strongest do-it-yourself buildings.
- Secured door with a dead bolt lock can be configured on any side panel wall of the building.
- Step-by-step instructions included.
- Extension kit available in 6 ft. increments and mountable on either side.
- Delivers in single wood crate via common carrier.
- 7 Year Limited Warranty.
- An Angular Roof Design for easy water drainage including a gutter system with a downspout to collect residual water.



Galvanized Metal foundation Kit



Door Knob and Death Bolt Lock Included



One Window Kit Included



Building reinforced with metal columns and beams

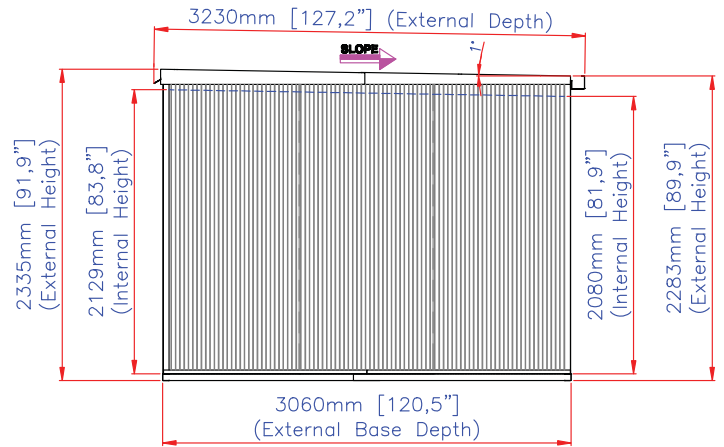
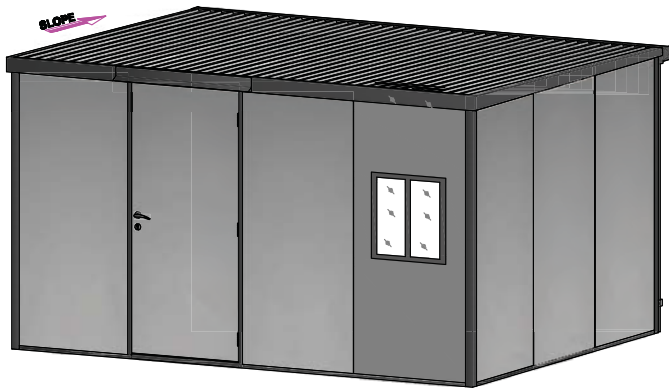


Panel Walls are Fire-Retardant
CFC Free Poly-Urethane insulation

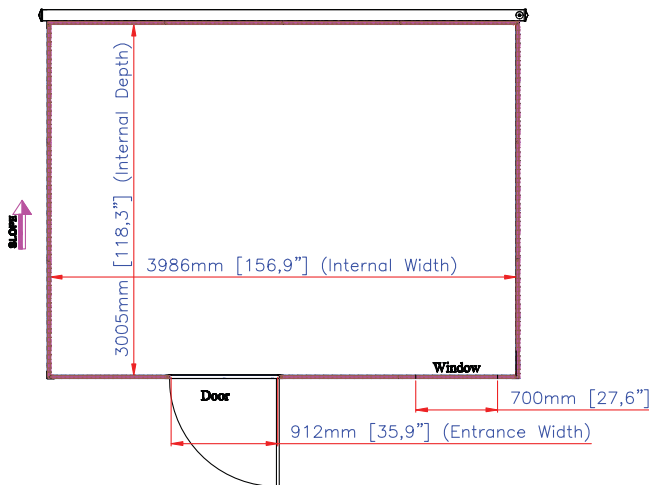


Rear Water Gutter System

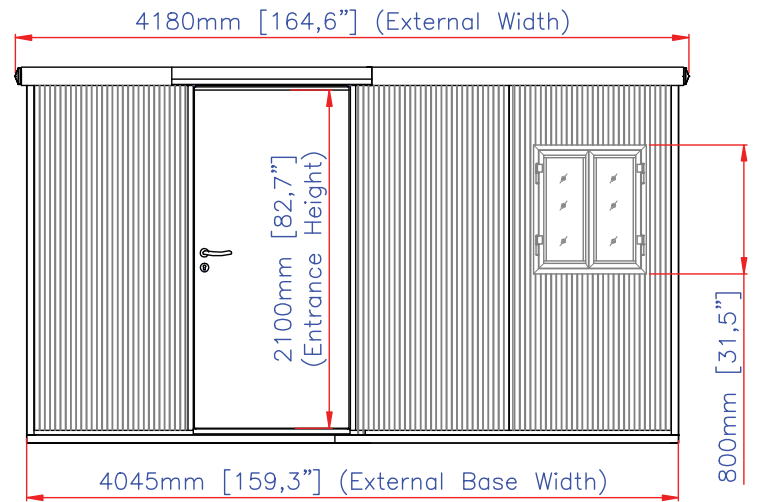
FLAT ROOF MODULAR INSULATED BUILDING SPECIFICATIONS



Flat Roof Insulated Building Side View



Flat Roof Insulated Building Plan



Flat Roof Insulated Building Elevation

Flat Roof Insulated Cabin Dimensions

Model No.	Approx. Size (Ft.)	Storage	Exterior Dimension (inches)			Interior Dimensions	Door Opening	Panel Color
			Base	Roof Edge to Edge	Wall to Wall			
30432	13.3' x 10'	129 Sq. Ft.	Width	159 1/4"	164 1/2"	157 1/8"	35 3/4"	Neutral Off-White
			Depth	120 1/2"	127 1/8"	118 1/8"		Gray Trim
		878 Cu. Ft.	Height		92"	81 3/4"	82 3/4"	

Flat Roof Insulated Cabin Extension Dimensions

Model No.	Approx. Size (Ft.)	Storage	Exterior Dimension (inches)			Interior Dimensions	Panel Color
			Base	Roof Edge to Edge	Wall to Wall		
34432	6 3/8' x 10'	65 Sq. Ft.	Width	79"	79"	79"	Neutral Off-White
			Depth	120 1/2"	127 1/8"	118 1/8"	Gray Trim
		442 1/8 Cu. Ft.	Height		92"	81 3/4"	

